

"Slope" is an ideal shelf bracket solution for roof top apartments, bathrooms, living rooms, offices or shops where you have sloping walls. The "Slope" can be used for both wood & glass shelves.

Specifications:

May be used on walls from 0 – 66 degrees
 Max depth of shelf: 45 cm.
 Max load: 30 kg. when using 2 brackets.

Size: 335 x 113 x 23,5 mm. (L/H/W)

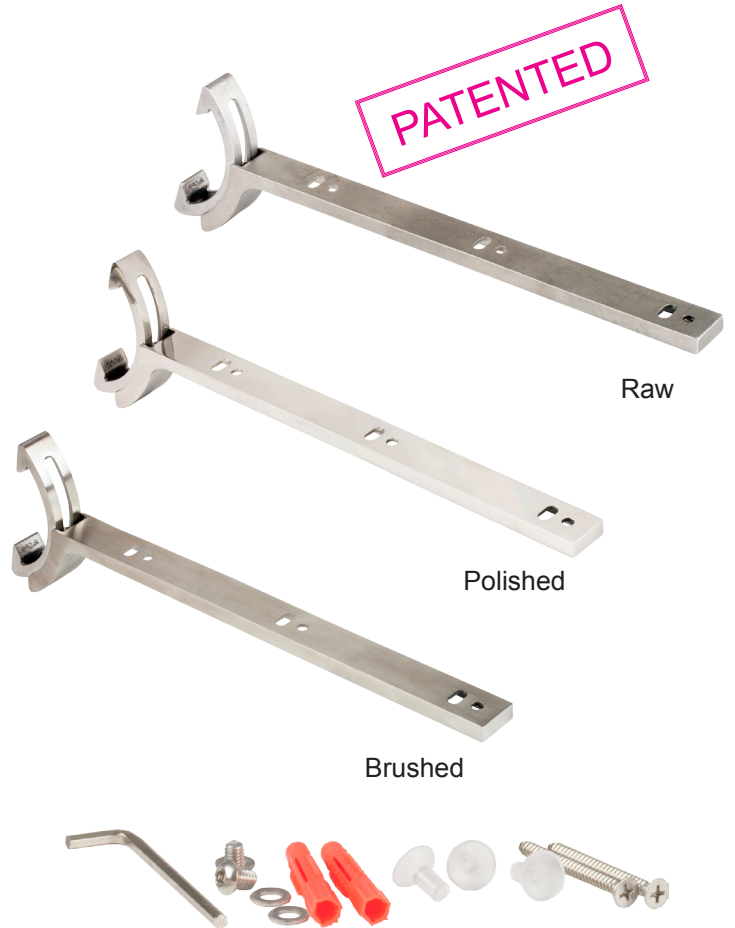
Material: Stainless Steel 304

Item No.:

Brushed # 22.02.800
 Polished # 22.02.801
 Raw # 22.02.802

Incl.:

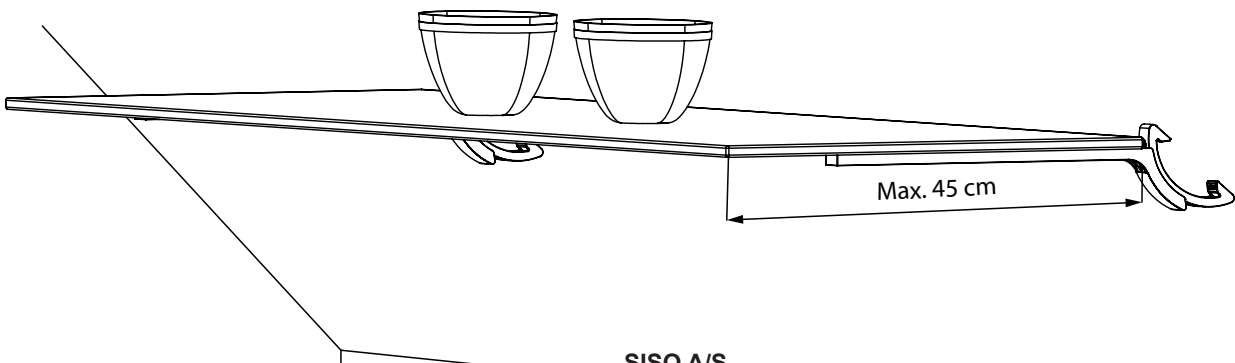
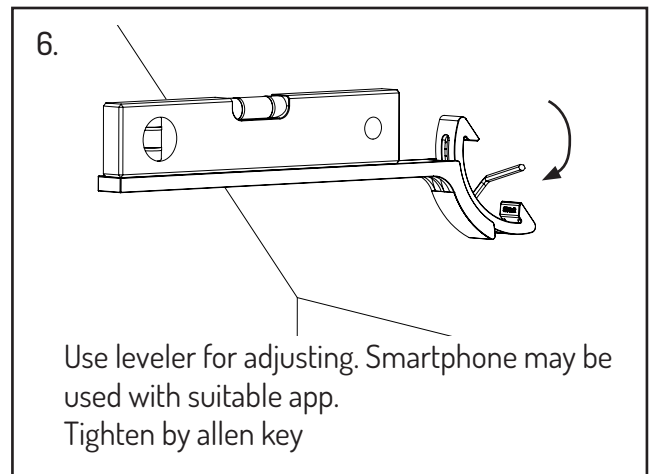
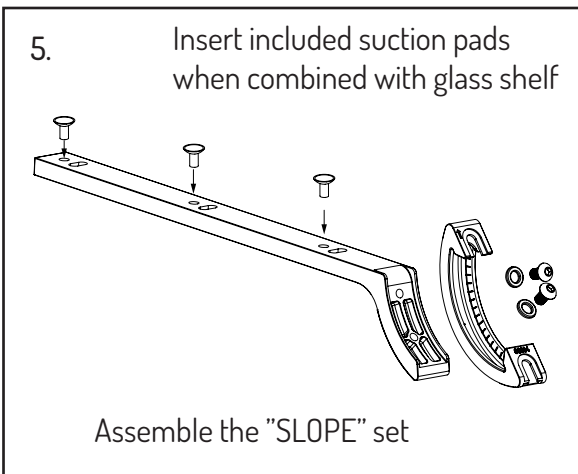
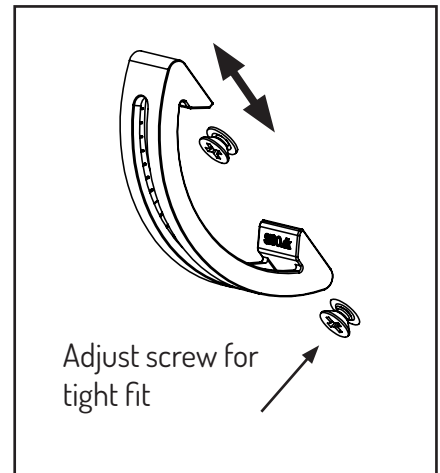
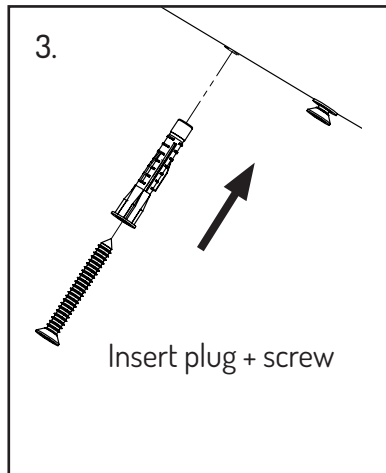
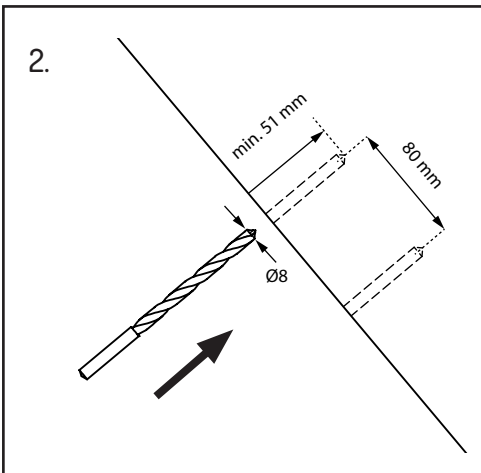
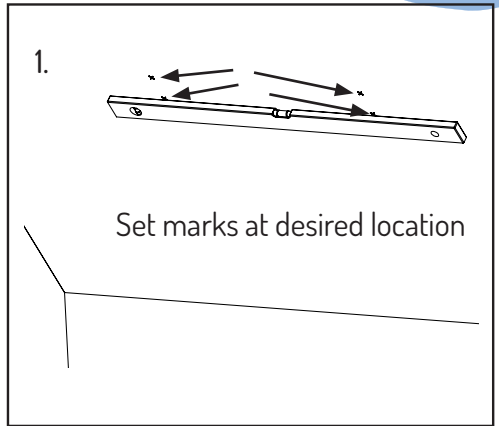
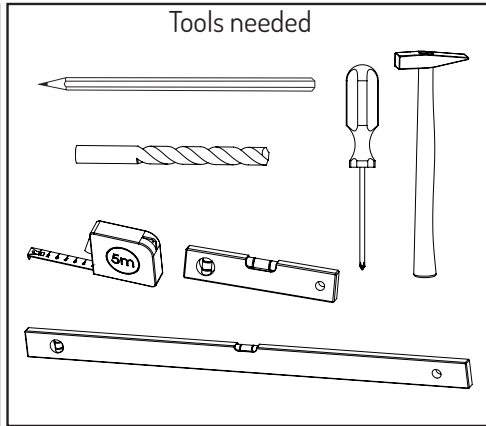
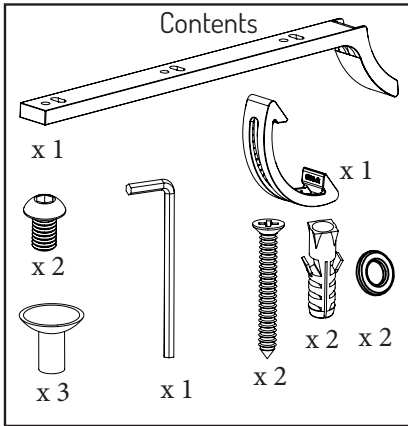
2 Socket Screws M6x8mm DIN 7984
 2 x CSK Chipboard Screws 5 x 50mm
 2 Plastic Wall Plugs Ø8 x 50mm
 1 x 4mm L-shaped Hex Key
 2 Flat Washers
 3 x Suction Pads F/Glass Shelves
 1 x Installation manual



"SLOPE" SHELF BRACKET – "HOW TO DO !"

- high quality furniture fittings

SISO DENMARK



SISO A/S

Mileparken 11 Phone: (+45) 45 830 900
DK - 2740 Skovlunde (Copenhagen) Fax: (+45) 45 830 444
Denmark E-mail: siso@siso.dk Web: www.siso.dk