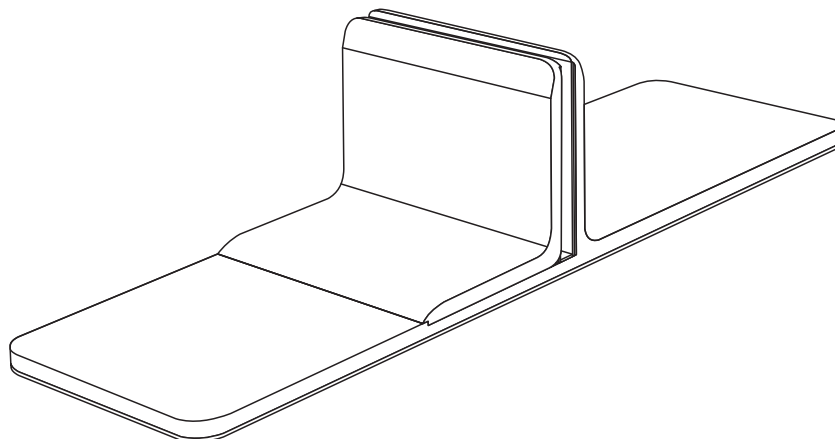
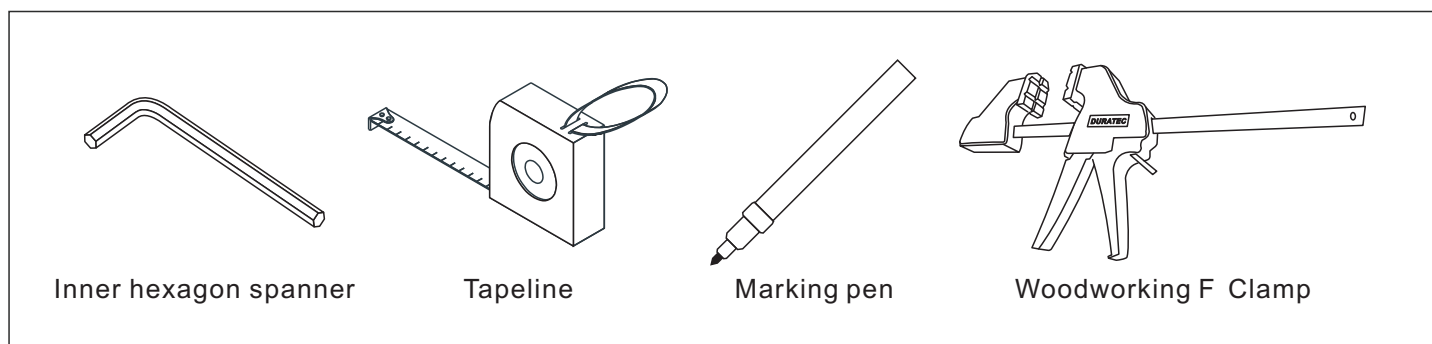


# INSTALLATION

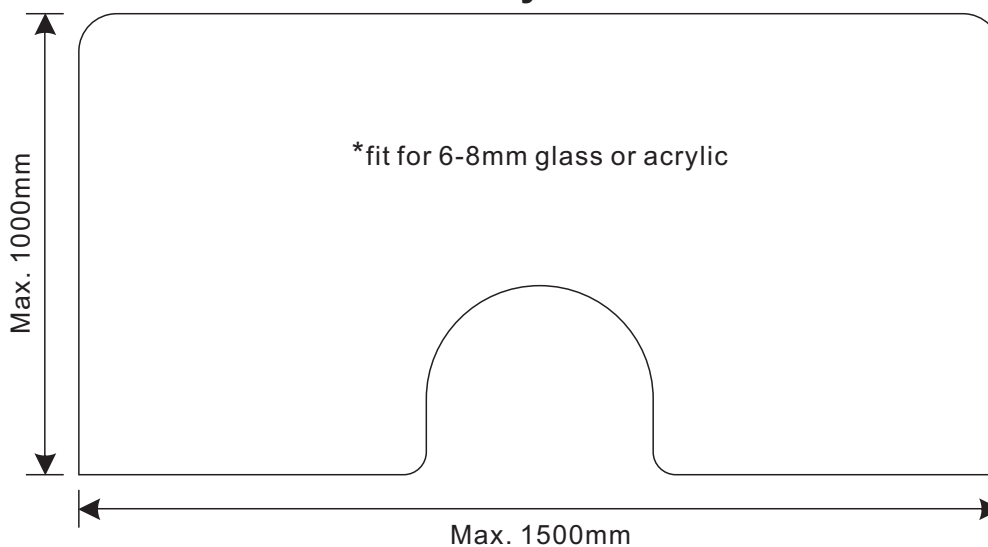
Please read carefully the following instructions before installation.



## Tool



## Glass or acrylic cut out



# INSTALLATION

