


## PRODUCT SHEET

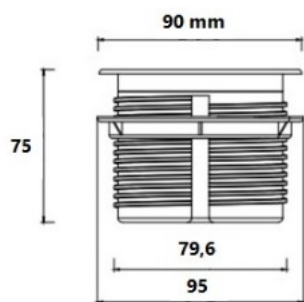
### Description:

Power Socket W/Lid Cover, Black, ø80mm, 1 EU Socket+2 USB Chargers (A+C), W/150 cm EU Power Cable, EC/RoSH Certified,, Over all Size: 90x75x79,5mm, Hole Drill: 80mm

### Item number:

25.22.650-0

| Units | Box | Carton | HS Code    | Barcode   |
|-------|-----|--------|------------|---|
| Pcs.  | 1   | 20     | 8536490099 | <br>5704866510714 |



Hole drill: ø 80 mm