


PRODUCT SHEET

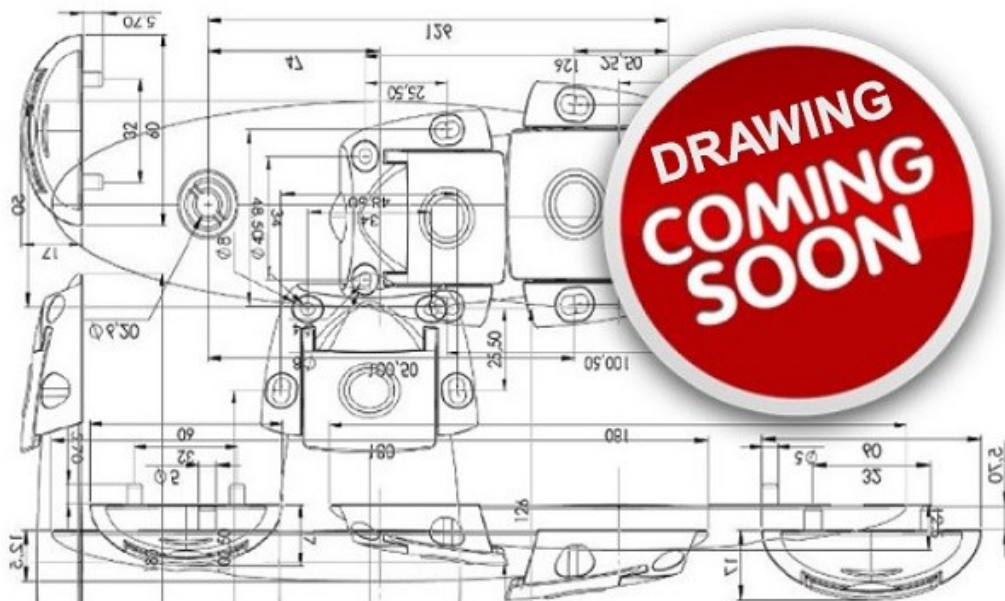
Description:

Assembling Screws F/Globe Spring SWG 19, $\varnothing 2.15 \times 15.5 \text{mm}$

Item number:

01.01.065-0

Units	Box	Carton	HS Code	Barcode
Pcs.	4000	12000	7318141090	 5704866001656



SISO A/S
Mileparken 11
DK-2740 Skovlunde
Denmark
VAT: DK 24786013

Phone +45 45 830 900
www.siso.dk
siso@siso.dk

Danske Bank
Nytorv Branch
Copenhagen
SWIFT: DABADKKK

Account no.
4180 3112 112936
IBAN Account
DK7230003112112936